

OnePak™ Integrated Camera/Lens/Environmental Housing Line

Sanyo OnePak™ Environmental Housing Series

Key Features

- Integrated Camera, Varifocal Lens, and Cylindrical Environmental Housing Package
- Packages Include Feed-through Wall Mount and 5 ft. of Cabling
- Color and Day/Night Models
- Choice of 2.8-12 mm or 5.0-50 mm Varifocal Lenses
- Indoor and Outdoor Models
- Outdoor Units Include Heater, Blower and Sunshield
- Standard and High-Resolution Models Available
- Pre-wired for Plug & Play Easy Installation
- NEMA 4 and IP65 Weatherproofing Standards
- 3-Year Warranty



Sanyo OnePak™
Environmental
Housing Series
INTEGRATED CAMERA/LENS/
ENVIRONMENTAL HOUSING LINE

Indoor Color Models

MODEL	DESCRIPTION	CAMERA	LENS	HOUSING	MOUNT
VSE-P2351A	330TVL Color Camera, 2.8-12mm AI Vari-focal Lens, 3 1/2" x 11" Cylindrical Housing, Feed-thru Wall Mount, Pre-cabled, 24VAC	VCC-3954	SVCL-CS2812VA	VSE-2200	MTS-2000S
VSE-P2361A	520TVL Color Camera, 2.8-12mm AI Vari-focal Lens, 3 1/2" x 11" Cylindrical Housing, Feed-thru Wall Mount, Pre-cabled, 24VAC	VCC-6584	SVCL-CS2812VA	VSE-2200	MTS-2000S

Outdoor Color Models

MODEL	DESCRIPTION	CAMERA	LENS	HOUSING	MOUNT
VSE-P2351HBSA	330TVL Color Camera, 2.8-12mm AI Vari-focal Lens, 3 1/2" x 16" Cylindrical Housing, Feed-thru Wall Mount, Heater, Blower, Sunshield, Pre-cabled, 24VAC	VCC-3954	SVCL-CS2812VA	VSE-2300HBS	MTS-2000
VSE-P2352HBSA	330TVL Color Camera, 5.0-50mm AI Vari-focal Lens, 3 1/2" x 16" Cylindrical Housing, Feed-thru Wall Mount, Heater, Blower, Sunshield, Pre-cabled, 24VAC	VCC-3954	SVCL-CS550VA	VSE-2300HBS	MTS-2000
VSE-P2361HBSA	520TVL Color Camera, 2.8-12mm AI Vari-focal Lens, 3 1/2" x 16" Cylindrical Housing, Feed-thru Wall Mount, Heater, Blower, Sunshield, Pre-cabled, 24VAC	VCC-6584	SVCL-CS2812VA	VSE-2300HBS	MTS-2000
VSE-P2362HBSA	520TVL Color Camera, 5.0-50mm AI Vari-focal Lens, 3 1/2" x 16" Cylindrical Housing, Feed-thru Wall Mount, Heater, Blower, Sunshield, Pre-cabled, 24VAC	VCC-6584	SVCL-CS550VA	VSE-2300HBS	MTS-2000

Outdoor Day/Night Models

MODEL	DESCRIPTION	CAMERA	LENS	HOUSING	MOUNT
VSE-P2461HBSA	520TVL Day/Night Camera, 2.8-12mm AI Vari-focal Lens, 4 1/2" x 16" Cylindrical Housing, Feed-thru Wall Mount, Heater, Blower, Sunshield, Pre-cabled, 24VAC	VCC-4594	SVCL-CS2812VA	VSE-2400HBS	MTS-2000
VSE-P2462HBSA	520TVL Day/Night Camera, 5.0-50mm AI Vari-focal Lens, 4 1/2" x 16" Cylindrical Housing, Feed-thru Wall Mount, Heater, Blower, Sunshield, Pre-cabled, 24VAC	VCC-4594	SVCL-CS550VA	VSE-2400HBS	MTS-2000

CALL FACTORY FOR OTHER AVAILABLE CONFIGURATIONS!

ELECTRICAL SPECIFICATIONS:

Imager: 1/3" Format, Interline Transfer CCD, **Video Output:** 1.0 V p-p, 75 ohms.

White Balance: VSE-P235X, VSE-P236X, VSE-P245X, VSE-P246X Series: Auto-sensing, **Synchronization:** Line Lock

Horizontal Resolution, Minimum Scene Illumination, BLC, and S/N:

MODEL	HORIZONTAL RESOLUTION	MIN SCENE ILLUMINATION	BACK LIGHT COMPENSATION	S/N
VSE-P235x Series	330TVL	0.5 Lux @ F1.2	Center Zone	>48 dB
VSE-P236x Series	520TVL	0.5 Lux @ F1.2	Weighted Multi-Zone	>50 dB
VSE-P246x Series	520TVL	0.6 Lux @ F 1.2 Color Mode 0.03 Lux @ F 1.2 B&W Mode	Weighted Multi-Zone	>48 dB

Lens Type, Range, and Aperture:

MODEL	TYPE	RANGE	APERTURE
VSE-P2xx1 Series	DC Auto Iris	2.8 to 12.0 mm	F1.4 ~ 360
VSE-P2xx2 Series	DC Auto Iris	5.0 to 50 mm	F1.8 ~ 185

Voltage and Power Ratings:

MODEL	VOLTAGE	POWER (INDOOR MODELS)	POWER (OUTDOOR MODELS)
Color	24 VAC, 60 Hz	5.0 W	29 W
Day/Night	24 VAC, 60 Hz	N/A	30 W

Specifications subject to change without notice. © 2005 SANYO Security Products

Connectors:

Video Out: 5 ft. (1.5 m) Coaxial Cable with Female BNC Connector

Power: 18 AWG, 3 Conductor, 5 ft. (1.5 m) Wiring Harness with Flying Leads

MECHANICAL SPECIFICATIONS:

Window: 0.12 in (3 mm) thick UV-stabilized polycarbonate

Housing Mounting: Four (4) available ¼-20 tapped holes. Only one set of two is required for mounting.

Construction: Aluminum cover, aluminum base, aluminum mounting foot, polycarbonate faceplate, glass reinforced polycarbonate end caps, neoprene gasket, ethylene propylene seal, and all stainless steel hardware.

External Dimensions: See drawings on back page

Weight (approx):

VSE-P23xx Series Indoor: 5.7 lbs. (2.57 kg)

VSE-P23xx Series Outdoor: 6.5 lbs. (2.97 kg)

VSE-P24xx Series Outdoor: 6.5 lbs. (2.97 kg)

Feed-through Mount:

Max Load: 20 lbs. (9 kg)

Approx. Weight 0.9 lbs (0.4 kg)

Housing Finish: Gray

ENVIRONMENTAL & SAFETY SPECIFICATIONS:

Temperature: At external temperature of -40 °F to 122 °F (-40 °C to 50 °C) maintains internal temperatures between -4 °F to 131°F (-20 °C and 55 °C) with heater/blower.

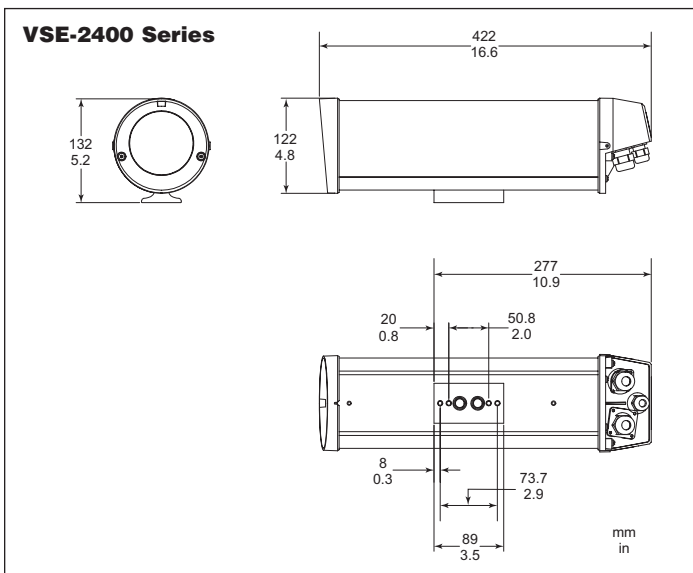
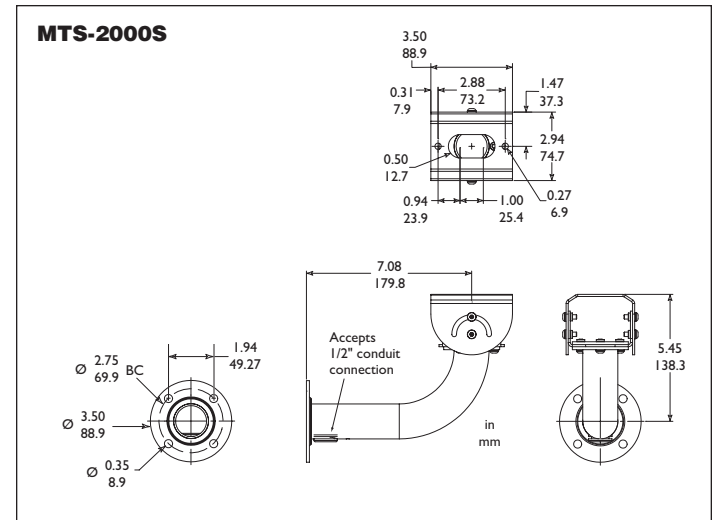
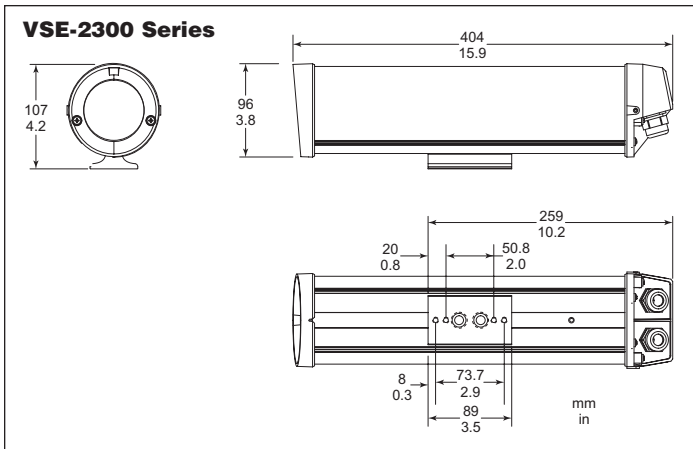
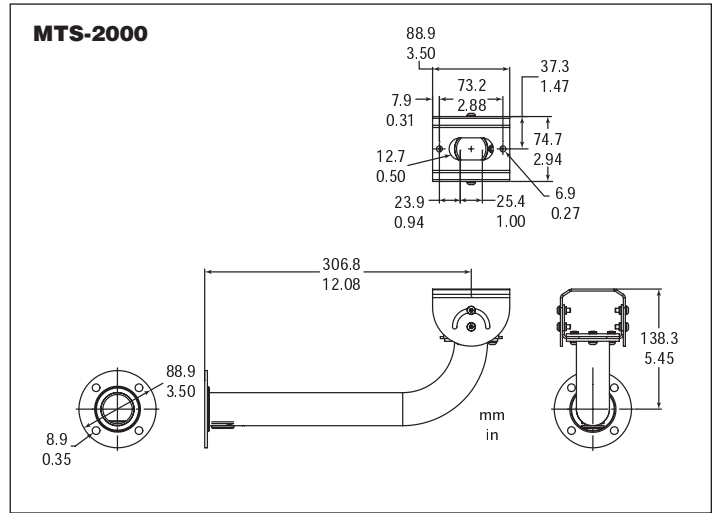
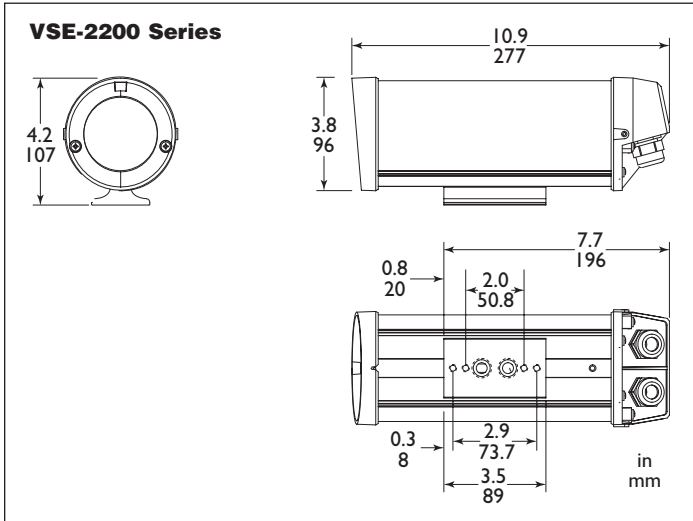
Salt Atmosphere: MIL-STD-810E, Method 509, Procedure 1.

Enclosure Protection: IP65, Designed to meet NEMA 4.

EMC Requirements: FCC Class B

Safety: UL, cUL

Dimensions



SANYO Security Products
 21605 Plummer Street
 Chatsworth, CA 91311
 Phone: (888) 893-7403
 Fax: (888) 818-2597
 Technical Support: (888) 66-SANYO
www.sanyocctv.com